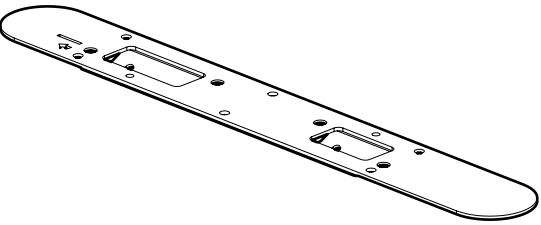
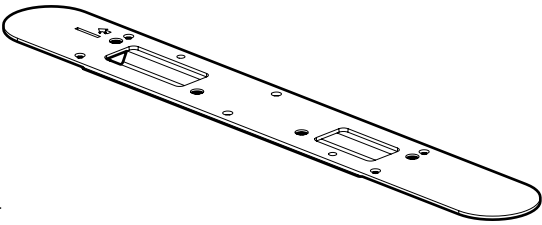
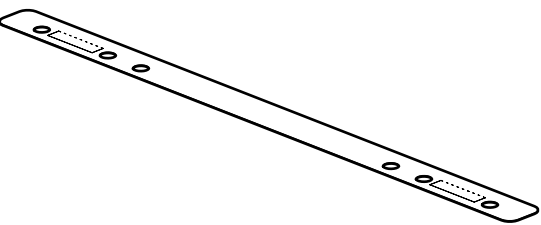
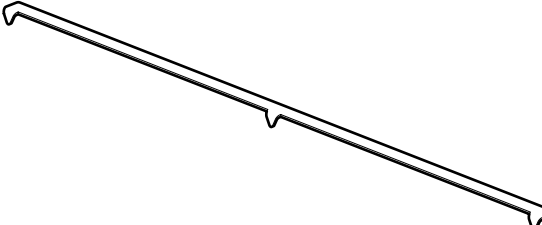


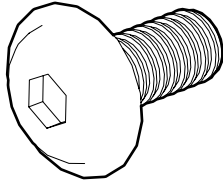
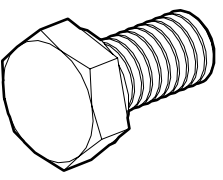
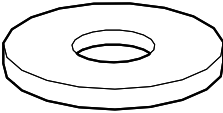

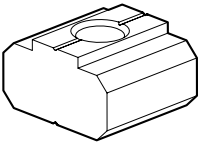
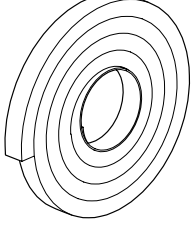


MOUNTAIN TOP[®] TOYOTA ADAPTER KIT

Installation manual

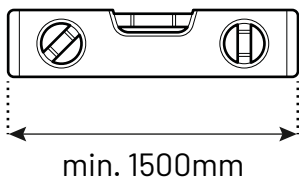
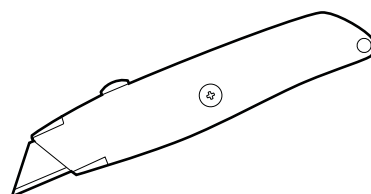
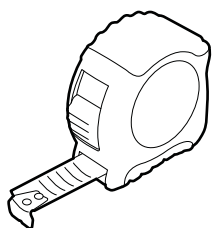
Parts

<p>A</p>  <p>LEFT x1</p>	<p>B</p>  <p>RIGHT x1</p>
<p>C</p>  <p>x2</p>	<p>D</p>  <p>x4</p>

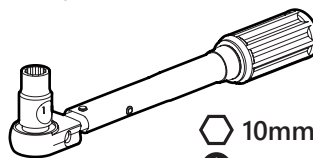
Kit

<p>E</p>  <p>x8</p>	<p>F</p>  <p>x8</p>	<p>G</p>  <p>x8</p>
<p>H</p>  <p>x8</p>	<p>I</p>  <p>x8</p>	<p>J</p>  <p>x1</p>
<p>K</p> <div data-bbox="103 1388 558 1478" style="border: 1px solid black; padding: 5px;"> <p>WARNING: THIS IS A SPORTS BAR NOT A ROLL BAR OR LOAD CARRYING BAR IN THE EVENT OF AN ACCIDENT, THE VEHICLE, PERSONS AND OBJECTS WILL NOT BE PROTECTED BY THIS PRODUCT</p> </div> <p>Warning label x1</p>	 <p>Load Rating Waiver x1</p>	 <p>Installation manual x1</p>

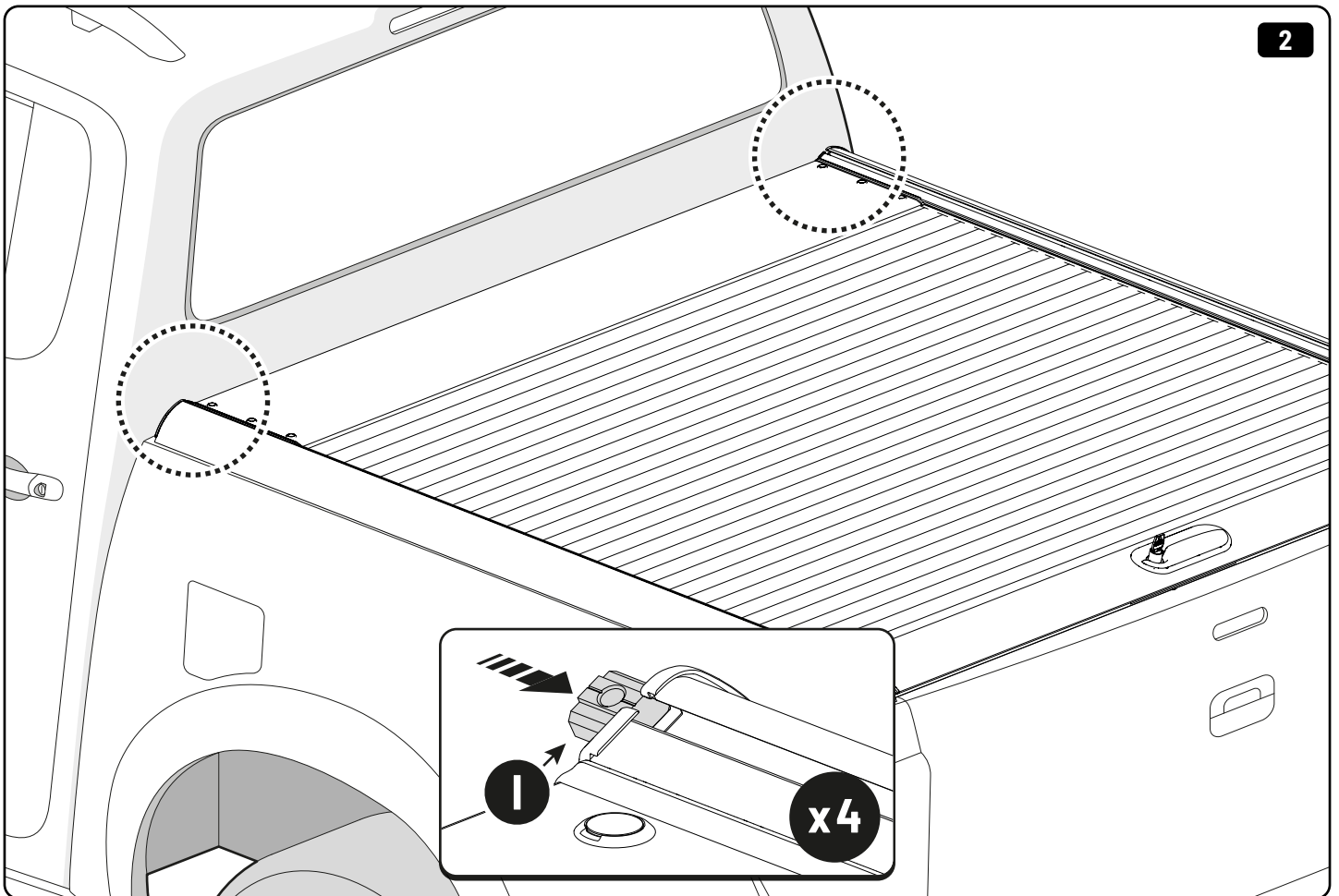
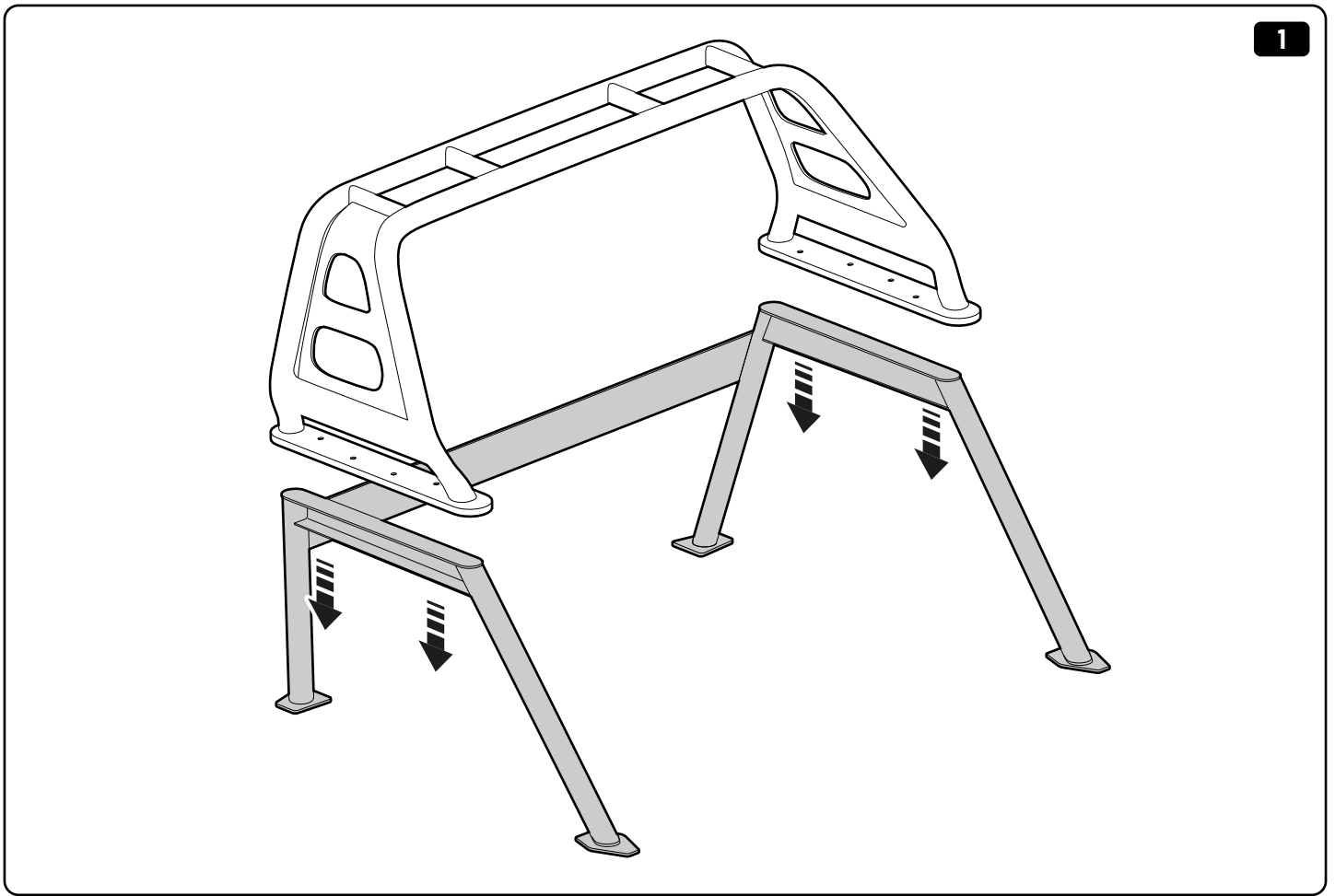
Tools and materials needed

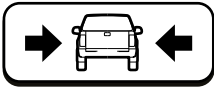


1 - 25 Nm

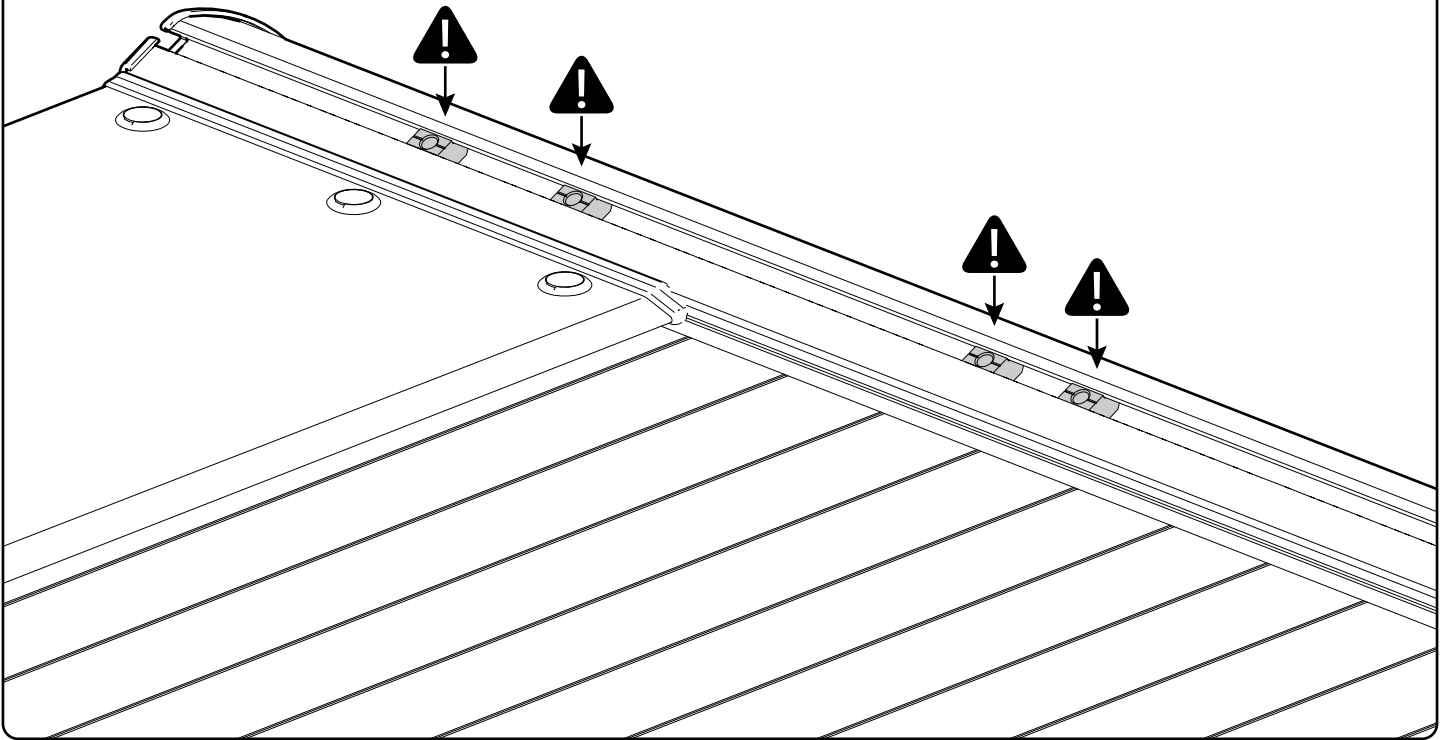


-  10mm
-  5 mm

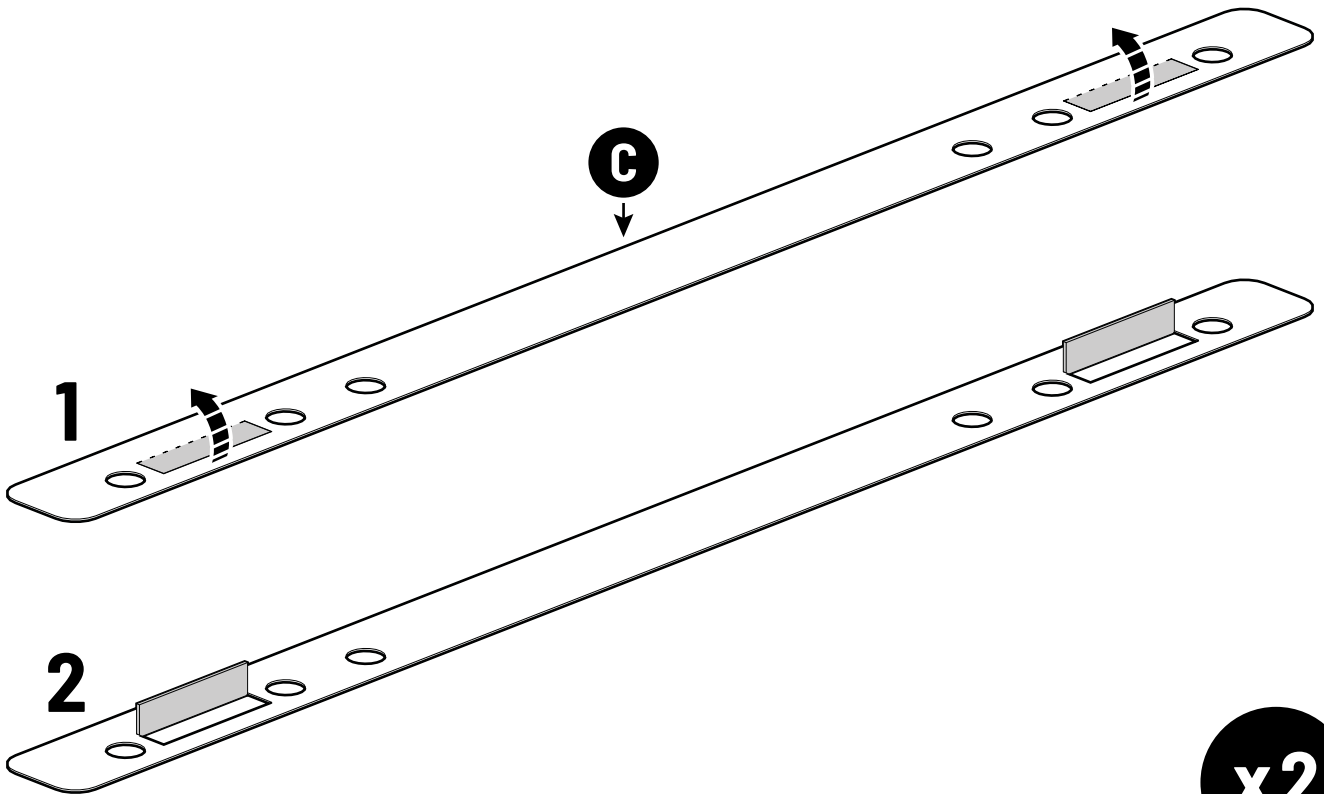


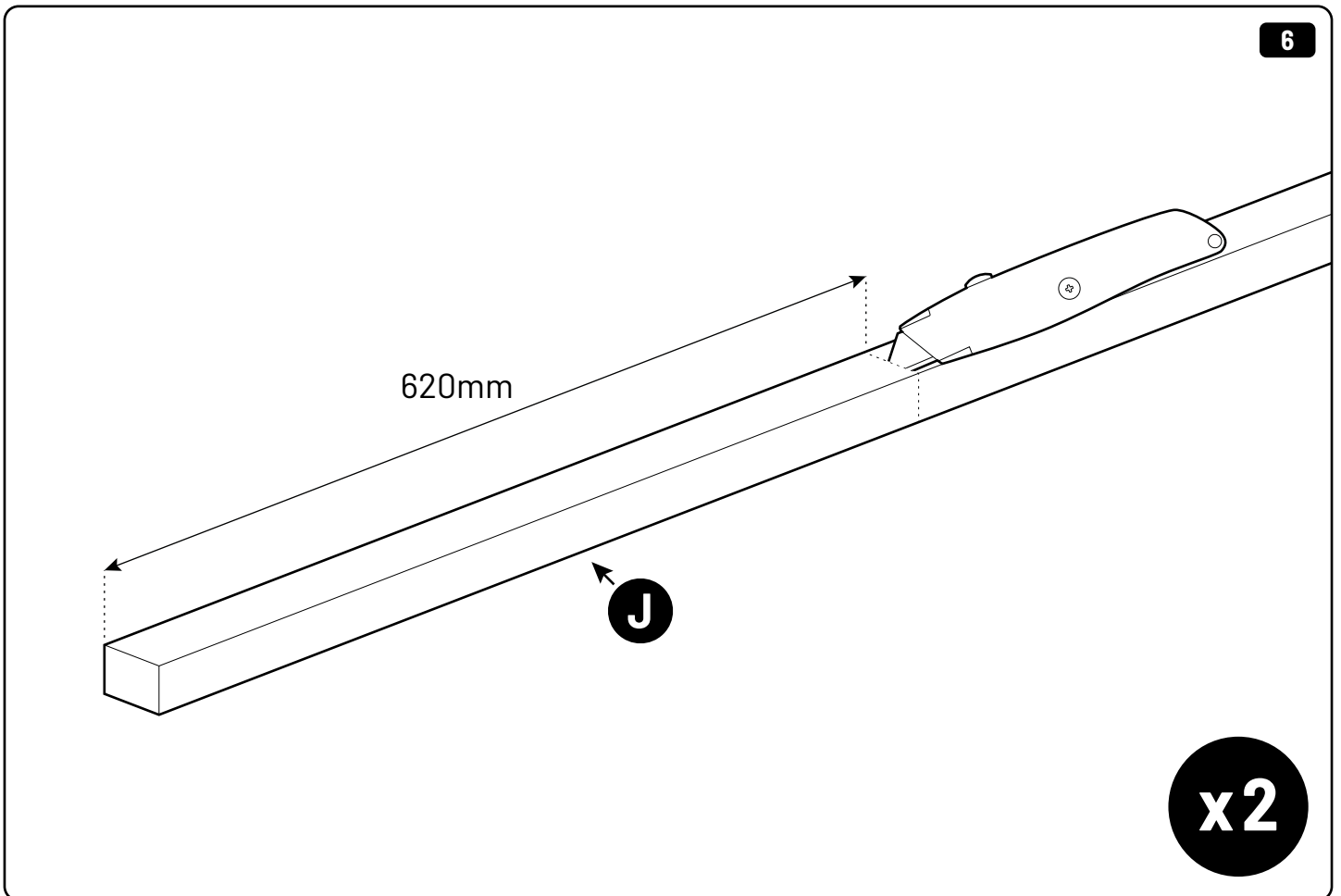
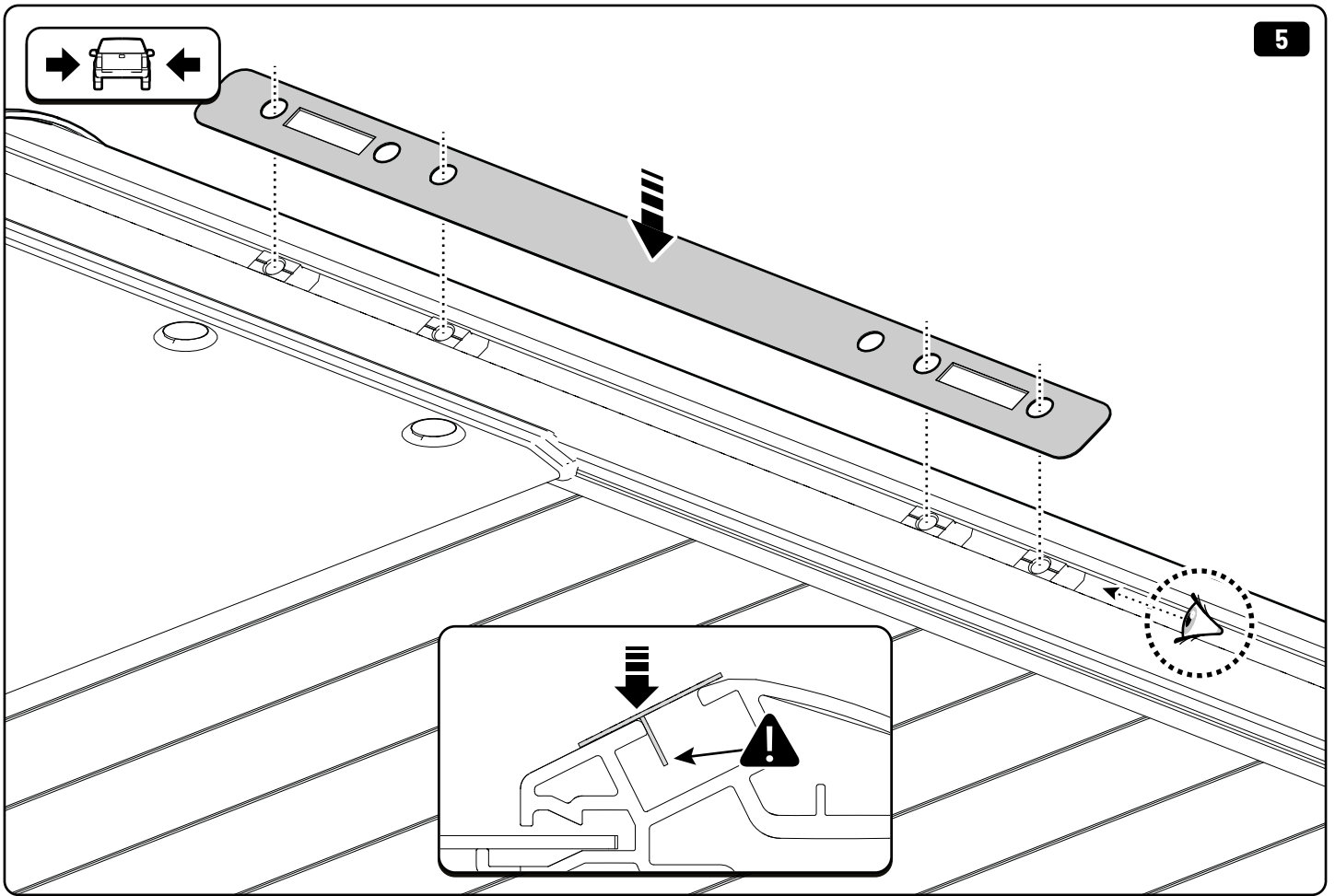


3

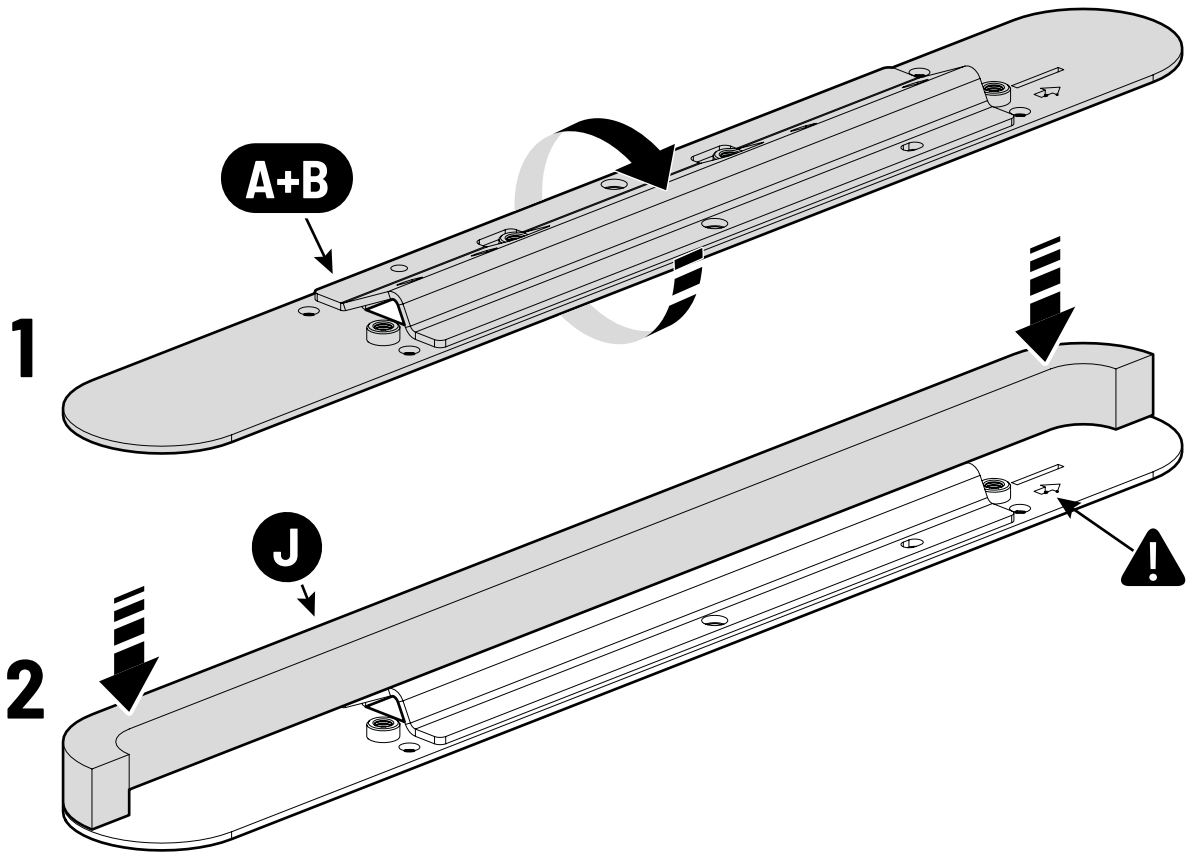


4

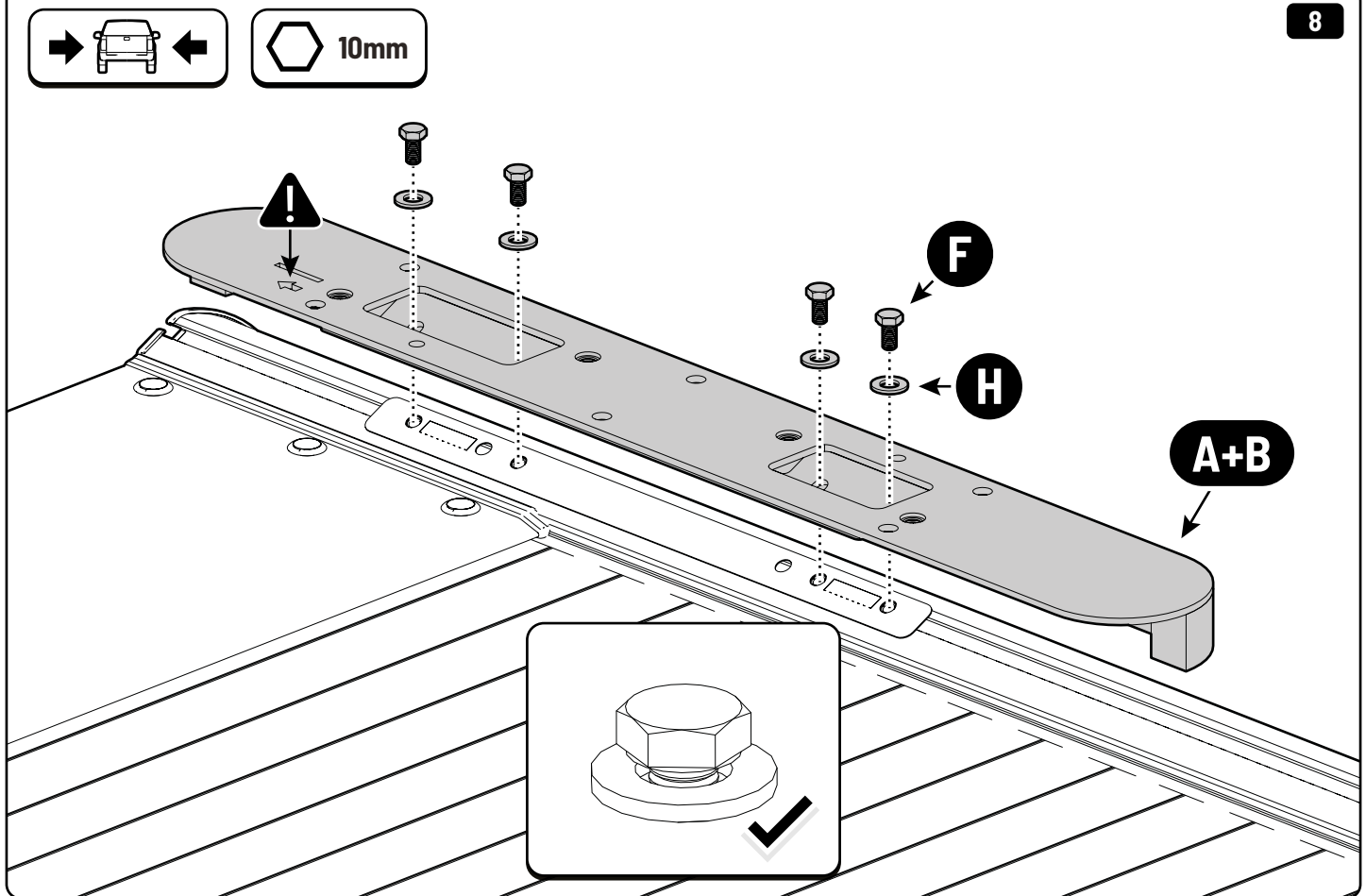


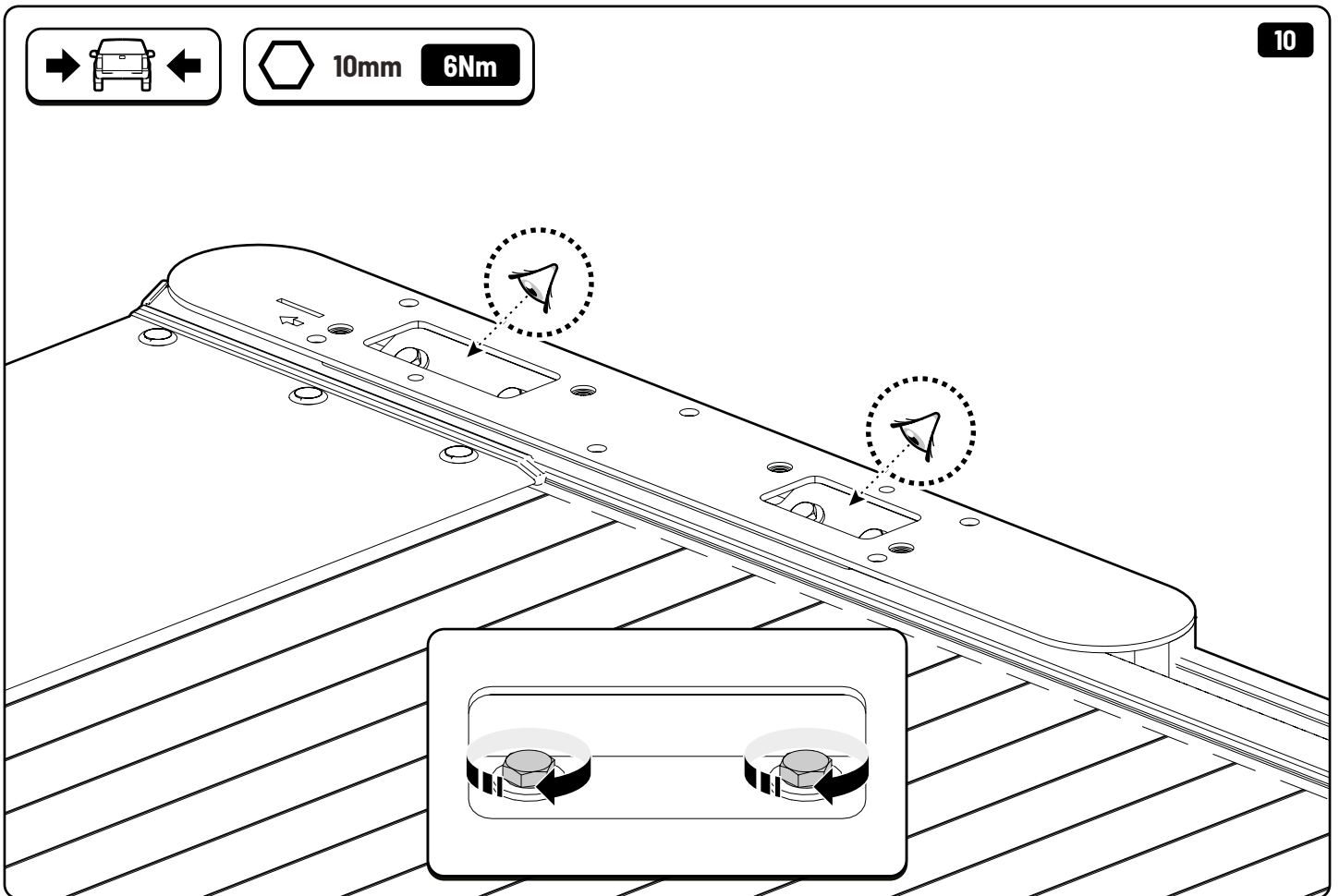
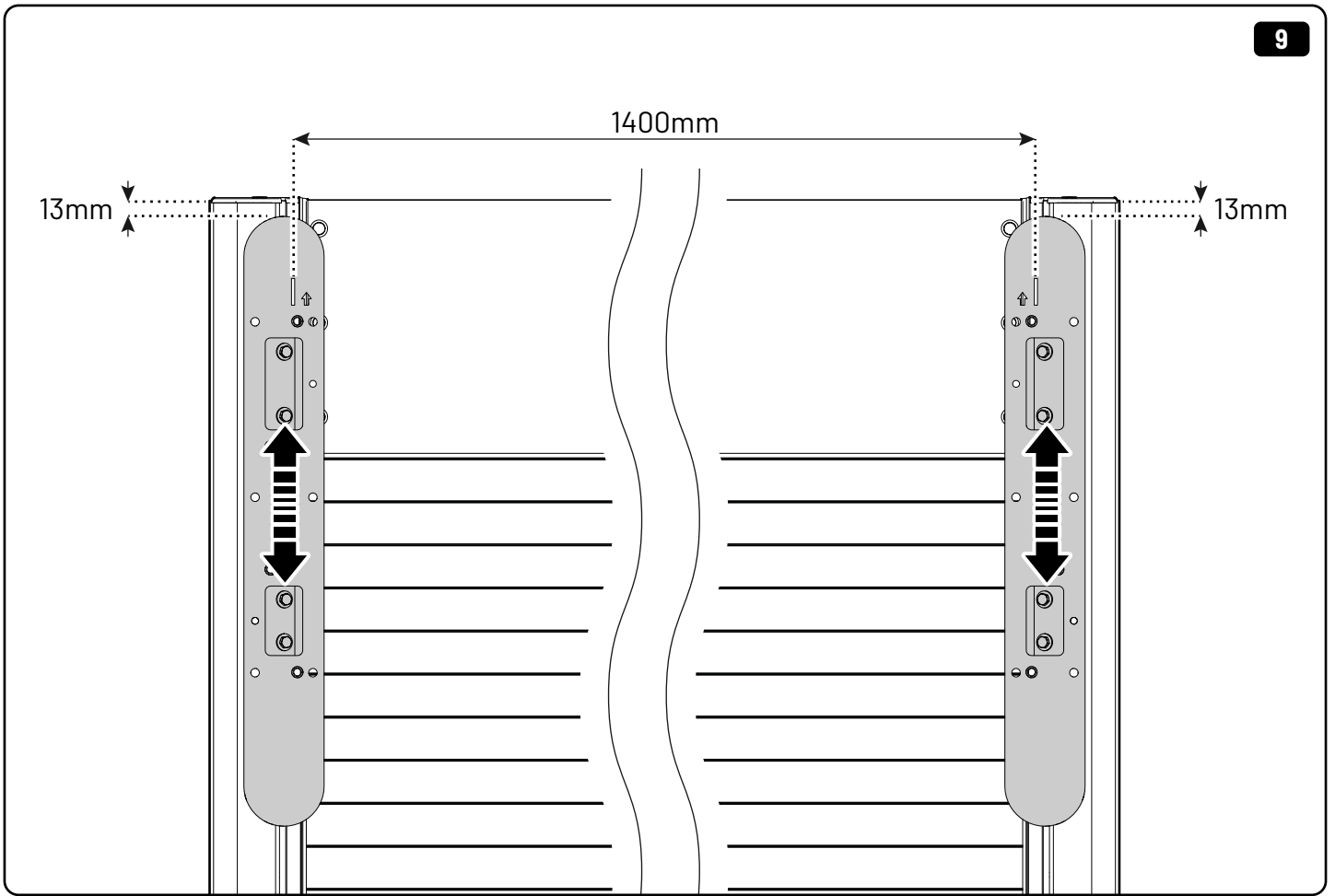


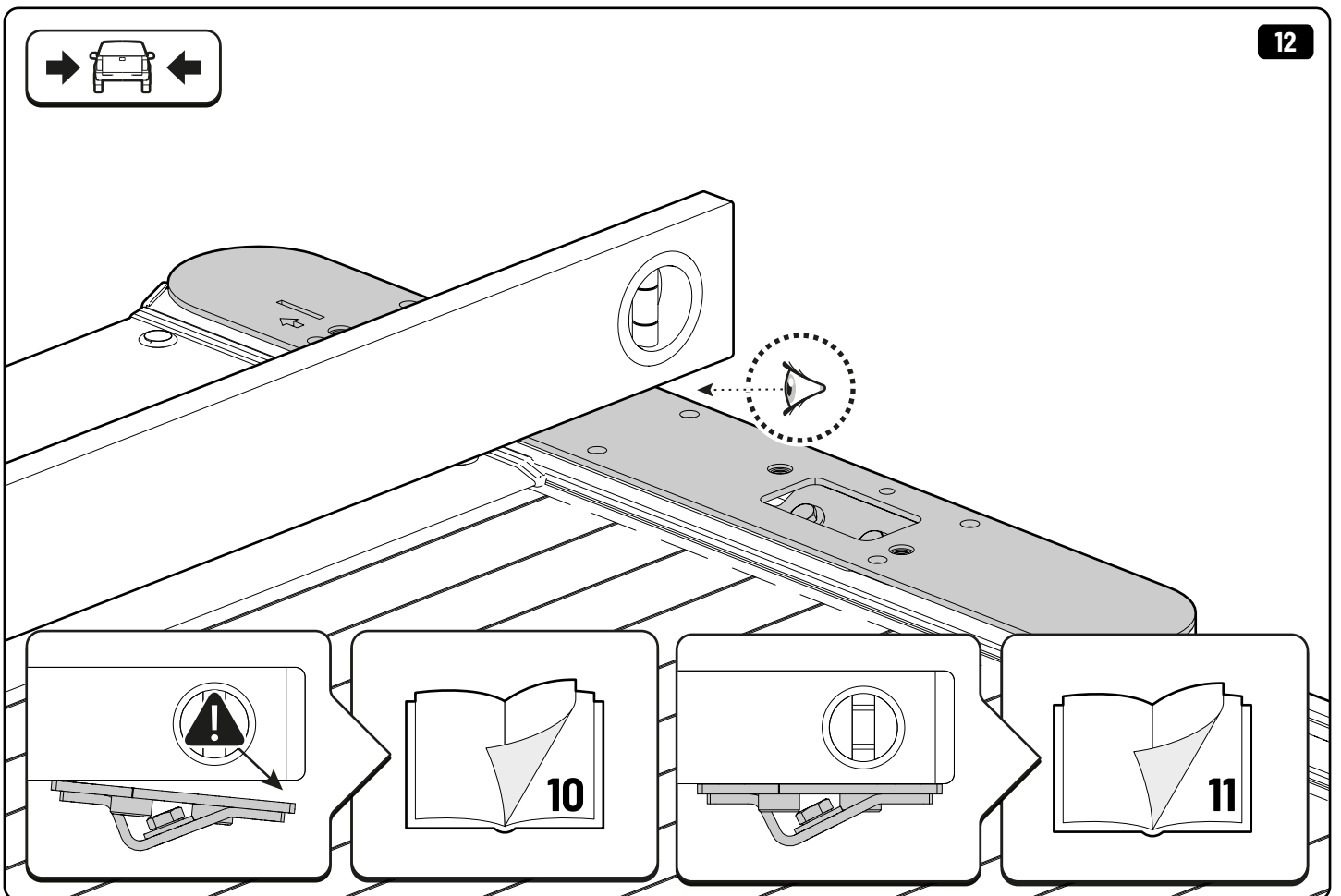
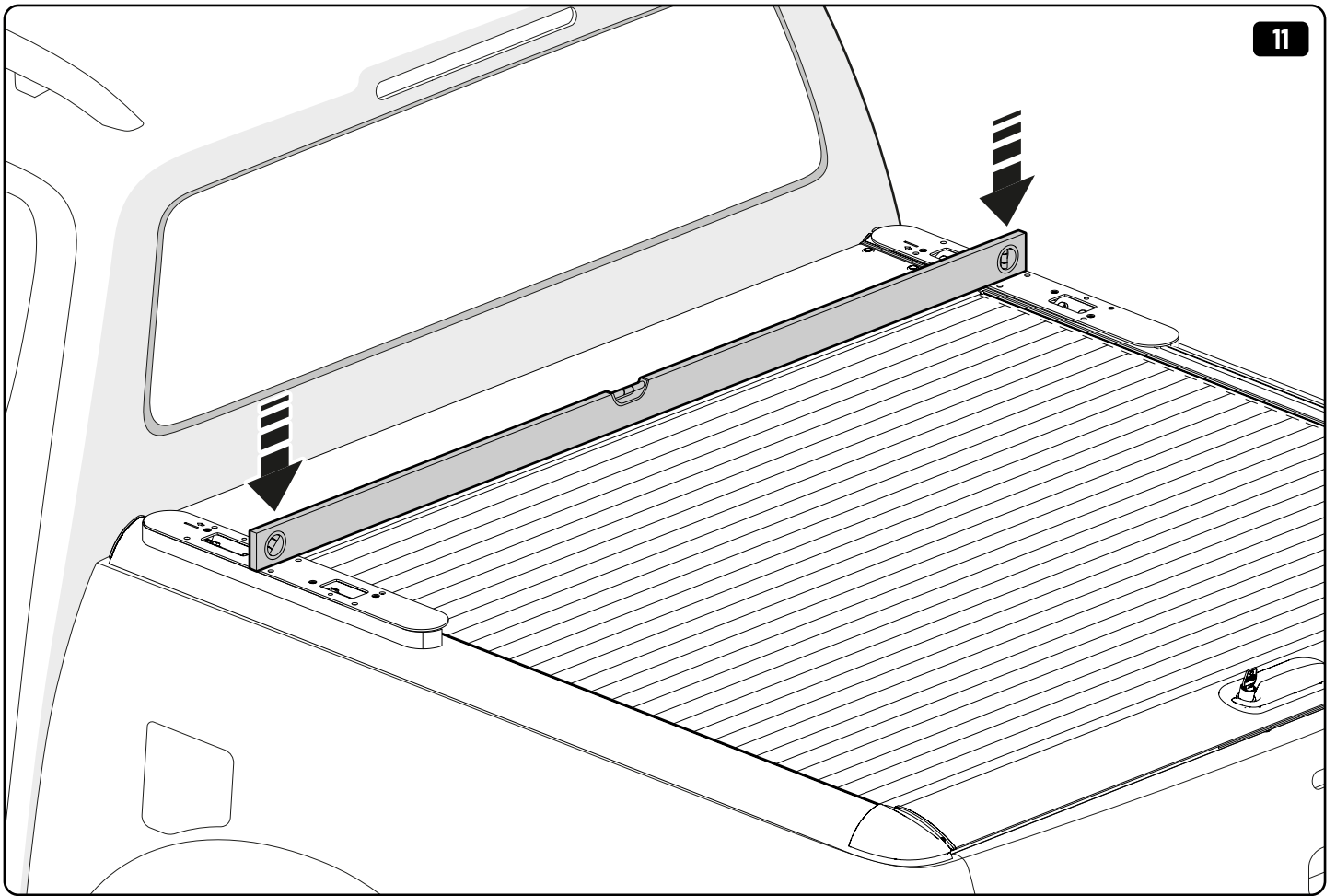
7

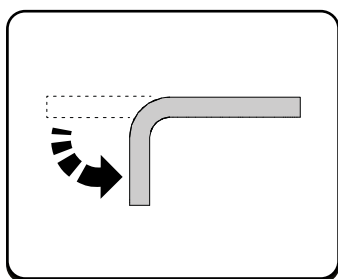
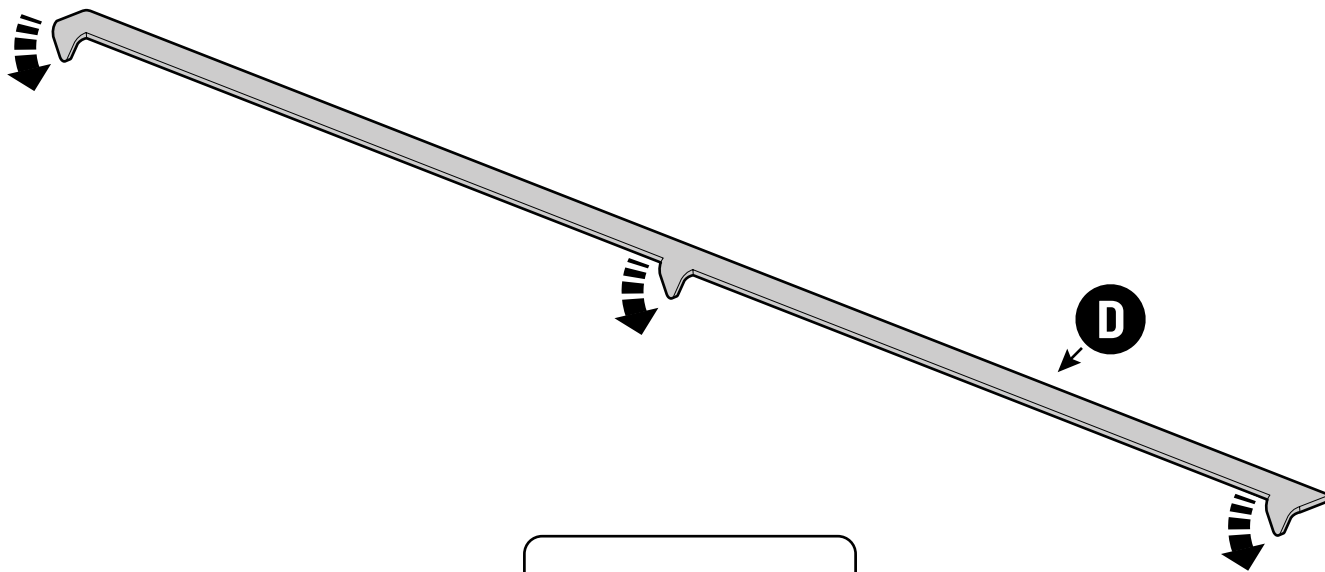


8

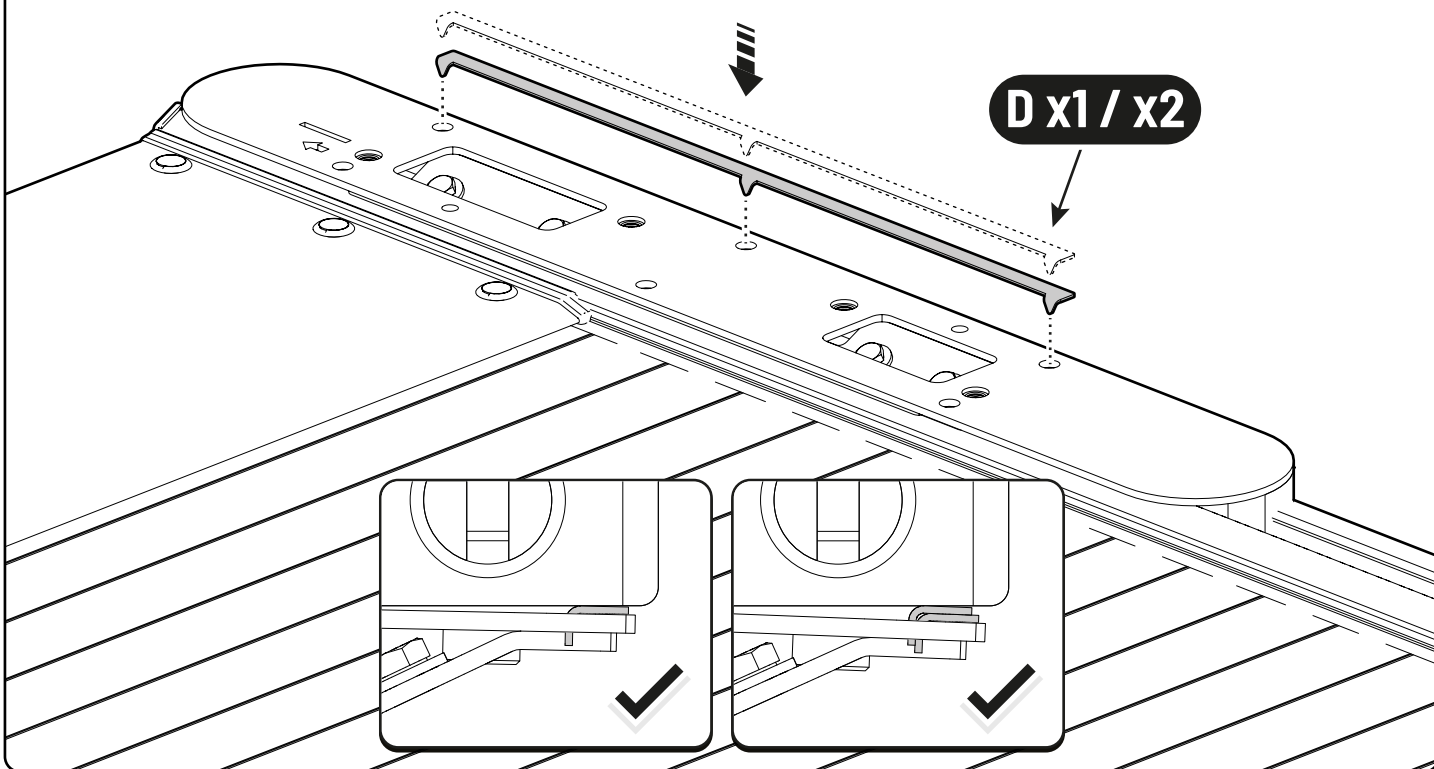
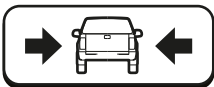


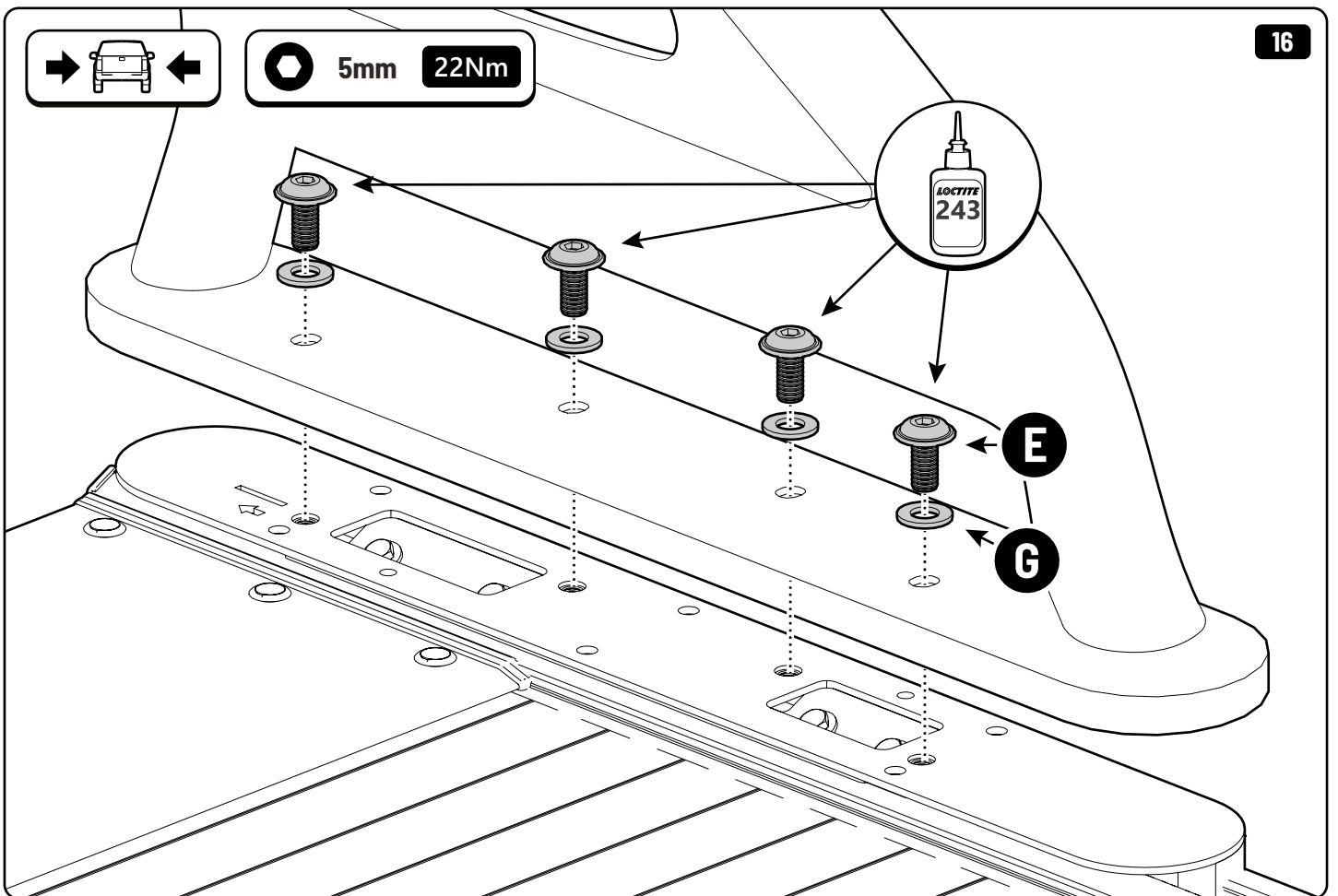
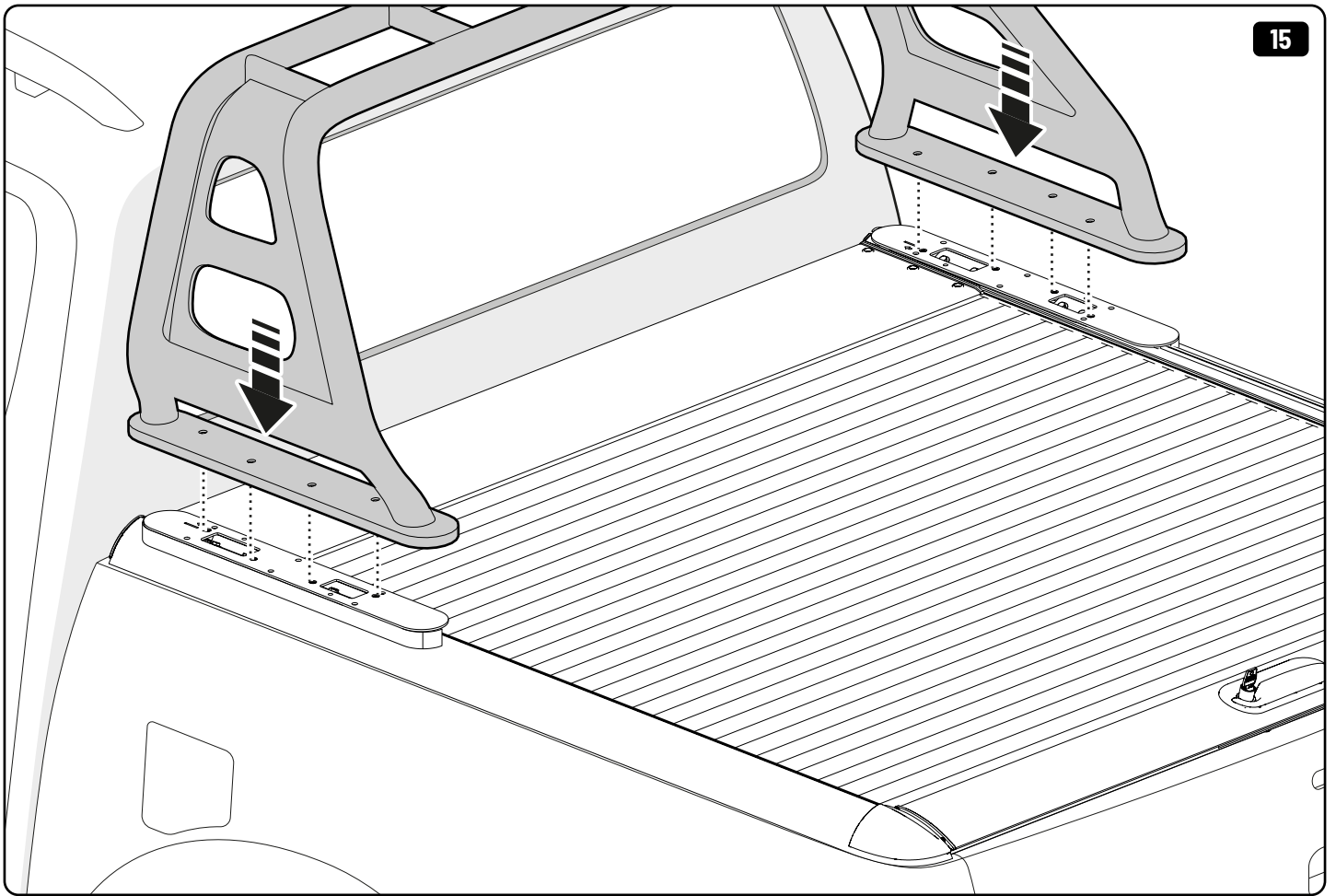


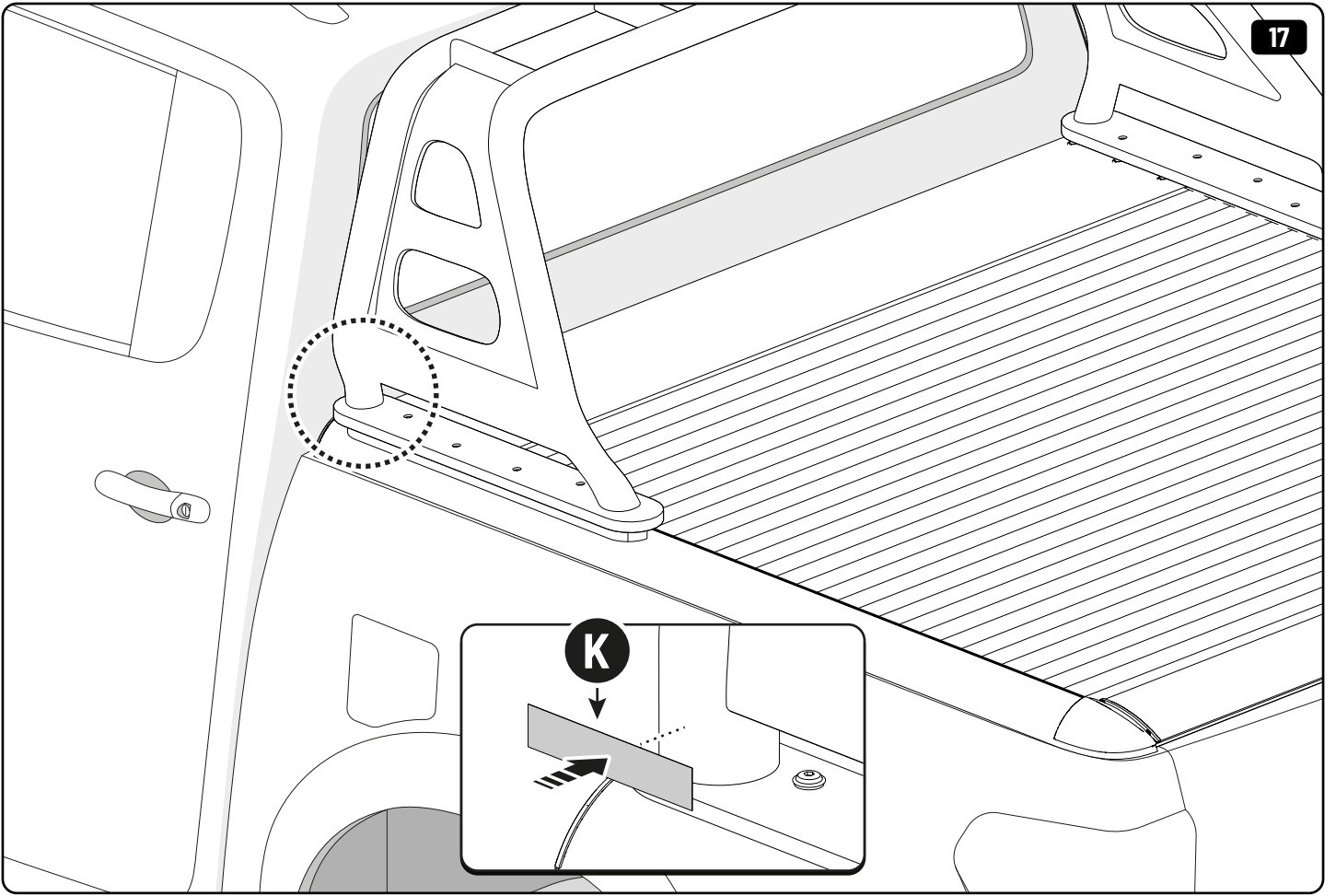




x4









Customer Service 03 9791 9303 (08:00 - 16:00 CET)
Support info@mountaintop.com.au
Website www.mountaintop.com.au
Address Dandenong South, Victoria 3175, Australia

Part number (s)	Model / Year	Cab type (s)	Installation time	Weight
SBEA 0052	Toyota / 2016 →	-	30 minutes	3.1 kg

GB Installation manual	S Monteringsanvisning	D Einbauanleitung
SF Asennusohje	E Instrucciones de montaje	CZ Návod k instalaci
F Notice de montage	H Szerelési utasítás	I Istruzioni di montaggio
PL Instrukcja montażu	P Instruções de instalação	GR Οδηγίες Εγκατάστασης
NL Installatie-instructies	RUS Инструкция по установке	DK Monteringsvejledning
TR Montaj Talimatı	N Monteringsveiledning	RO Instructiuni de instalare